



Flame Cutting Machine ZINSEK 1101

The smallest of the ZINSEK programme –
high-powered efficiency

- Perfected technics
- Reduced space requirement
- Simple installation
- Favourable cost-performance ratio



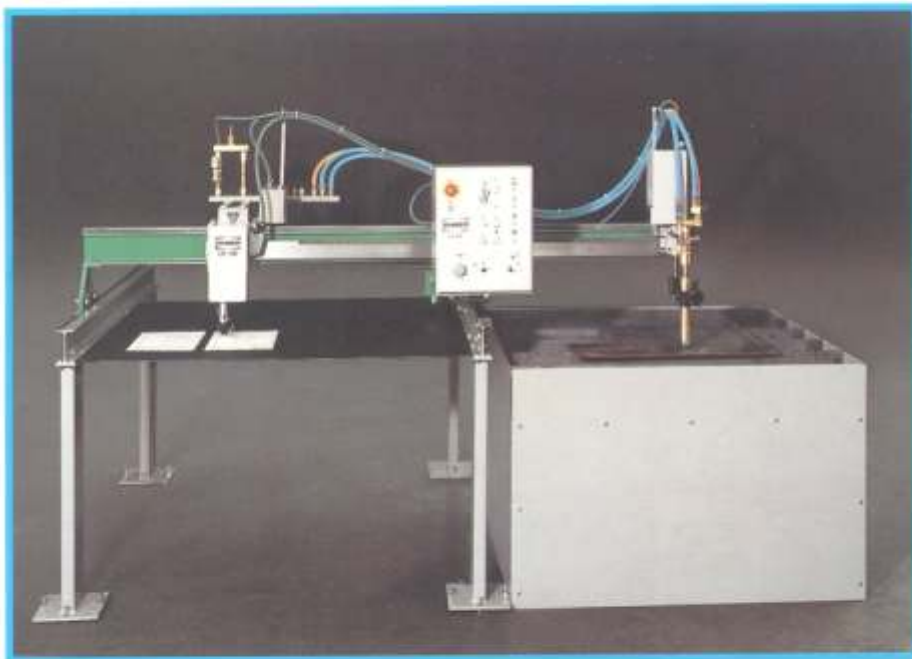
Flame Cutting Machine ZINSER 1101 for Oxygene- and Plasma Cutting

The rack and pinion drive of the flame cutting machine **ZINSER 1101** guarantees a reliable tracing if working with high speed.

The approved optical follower control LK 130 is equipped with electronics which is easy to service.

By means of an externally mounted potentiometer, amplification and zero-compensation can be adjusted, that means that photostats, photoprints can be traced, too.

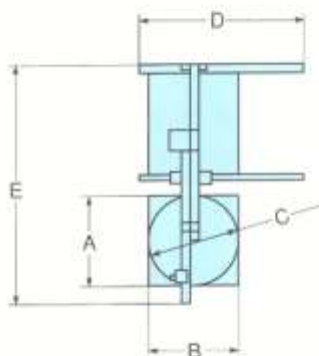
The copies to be traced can be fixed very easily on the sheet steel tracing table by means of magnets.
Tracing size: 1000 x 1000 mm



ZINSER 1101

Zinser 1101 at a glance

Cutting width mm	A	1000
Cutting length mm	B	1000
max. \varnothing of circle mm approx.	C	1000
Length of machine mm approx.	D	2000
Width of machine mm approx.	E	2850
Weight kg approx.		190
Supply voltage Volt		230
Input power Watt approx.		250



ZINSER Control Unit LK 130

- Opto electronic follower control
- Tracing speed progressively adjustable 50 – 1000 mm/min, changing-over 200 – 4000 mm/min

Functions:

Manual control, coordinate switch for all 4 directions, line and edge tracing, automatic start of cut (slow start of cut, connection of feed and cutting oxygene at start of cut), automatic switch-off of feed and cutting oxygene, if losing the line, kerf compensation ± 3 mm.

Basic equipment of the fully equipped machine:

- Follower control LK 130 with separate control panel
- Three-hose machine torch for 3 – 100 mm
- Connection for max. 2 torches is available

Supplementary accessories:

Central gas supply, Electric torch ignition device, Piercing device, (without preheating), Motorized and capacitive torch height adjustment

Plasma cutting units, Plasma adaption connection, Cutting tables, optionally with or without exhaust system.

Performance and progress
for 100 years



ZINSER SCHWEISSTECHNIK GmbH
Daimlerstraße 4
D-73095 Albershausen

Phone +49 (0)7161 5050-0
Fax +49 (0)7161 5050-100
E-Mail info@zinser.de
www.zinser.de

Please request more detailed
information!